



**SUBMITTAL DATA – WALL-MOUNTED
LM018CO-115P432-1X - LM018CI-115P432-1X
SINGLE ZONE MINI-SPLIT COOLING ONLY**

Job: _____
 Location: _____
 Schedule No.: _____
 System Designation: _____

Engineer: _____
 Architect: _____
 Date: _____

FEATURES

Outdoor Unit: **LM018CO-115P432-1X**
 Outdoor Unit Cat Number: **19U59**

Indoor Unit: **LM018CI-115P432-1X**
 Indoor Unit Cat Number: **19U58**



- 3 Meter Copper Pipe Included

- Auto Restart
- Four Selectable Fan Speeds
- Hidden LED Display
- Wireless Remote Included
- I Feel Function

PIPING

Line Set and Elevation Guidelines	
Maximum Line Set Length ft. (m)	82 ft. (25 m)
Maximum Elevation - Outdoor Unit Below/Above Indoor Unit ft. (m)	32.8 ft. (10 m)
Liquid Line Set Diameter (in.)	1/4"
Gas Line Set Diameter (in.)	1/2"

PRODUCT WARRANTY

5 Year Limited Warranty*

OPTIONAL ACCESORIES



NOTE – Due to Lennox' ongoing commitment to quality, Specifications, Ratings, and Dimensions are subject to change without notice and without incurring liability. Improper installation, adjustment, alteration, service or maintenance can cause property damage or personal injury. Installation and service must be performed by a qualified installer and servicing agency



**SUBMITTAL DATA – WALL-MOUNTED
LM018CO-115P432-1X - LM018CI-115P432-1X
SINGLE ZONE MINI-SPLIT COOLING ONLY**

OUTDOOR SPECIFICATIONS

PERFORMANCE	
Cooling Capacity (Btu/h)	18,000
EER(W/W)	2.95
REEE(BTUH/W)	11.5
Heating Capacity (Btu/h)	/
COP	/

Outdoor Fan Total Air Volume (CFM)	1,059
Ambient Temperature Operating Range	
Cooling	64°F(18°C) - 109°F(43°C)
Heating	/

ELECTRICAL DATA	
Power Supply (V/Hz/ϕ)	Supplied by IDU
Minimum Circuit Ampacity (A)	/
Maximum Overcurrent Protection (A)	/
Outdoor Fan Motor RLA (A)	.48
Compressor RLA (A)	7.9
No. of Compressors	1

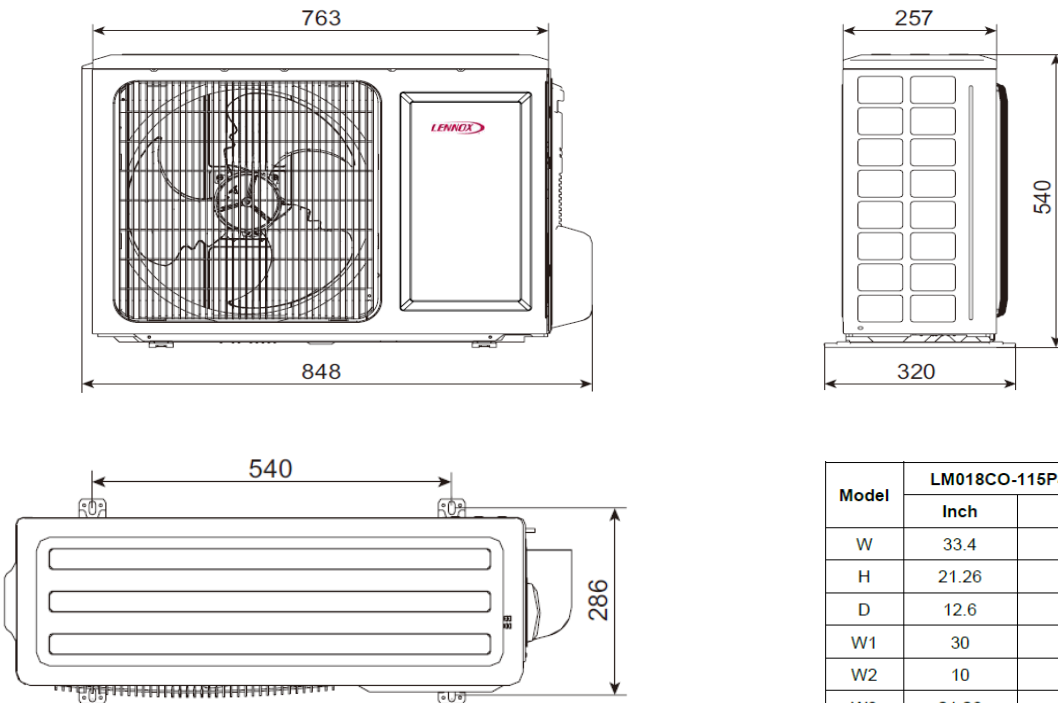
GENERAL DATA	
Connection Ratio (%)	100%
Max. # of Indoor Units	1
Sound Data (dBA) - Cooling/Heating	53
Refrigerant type	R-410A
Factory refrigerant charge	1.72 lbs. 27.5 oz.

DIMENSIONS		
Unit Dimensions (in)	Height	21.3
	Width	33.4
	Depth	12.6
Shipping Weight (lb)	79.4	
Net Weight (lb)	73.9	

NOTES

1. Cooling and Heating Capacity data is rated at the following conditions:
Cooling: 80°FDB / 66°FWB Indoor, 95°FDB/75°FWB Outdoor
Heating: 68°FDB / 59°FWB Indoor, 44.6°FDB/ 42.8°FWB Outdoor

OUTDOOR DIMENSIONAL DRAWINGS - INCHES (MM)



Model	LM018CO-115P432-1X	
	Inch	mm
W	33.4	848
H	21.26	540
D	12.6	320
W1	30	763
W2	10	257
W3	21.26	540
W4	11.3	286

NOTE – Due to Lennox’ ongoing commitment to quality, Specifications, Ratings, and Dimensions are subject to change without notice and without incurring liability. Improper installation, adjustment, alteration, service or maintenance can cause property damage or personal injury. Installation and service must be performed by a qualified installer and servicing agency



**SUBMITTAL DATA – WALL-MOUNTED
LM018CO-115P432-1X - LM018CI-115P432-1X
SINGLE ZONE MINI-SPLIT COOLING ONLY**

INDOOR SPECIFICATIONS

PERFORMANCE

Airflow (CFM)	Turbo	530
	High	503
	Medium	486
	Low	450
External Static Pressure (in. w.g.)		-
Sound Pressure (dBA)	Turbo	47
	High	44
	Medium	40
	Low	36

ELECTRICAL DATA

Power Supply (V/Hz/ϕ)	220/60/1
Rated load amps (RLA)	.35
Power Output (W)	35

ELECTRICAL DATA

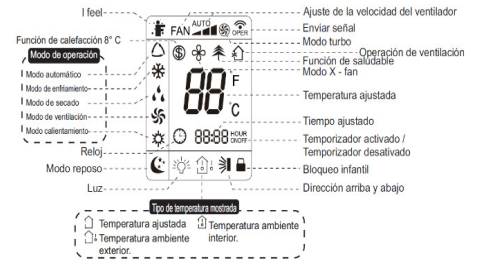
Unit Dimensions (in)	Height	11.8
	Width	38.2
	Depth	8.8
Unit Net/Shipping Weight (lb)		29.8/36.4

WIRELESS REMOTE CONTROLLER SPECIFICATIONS

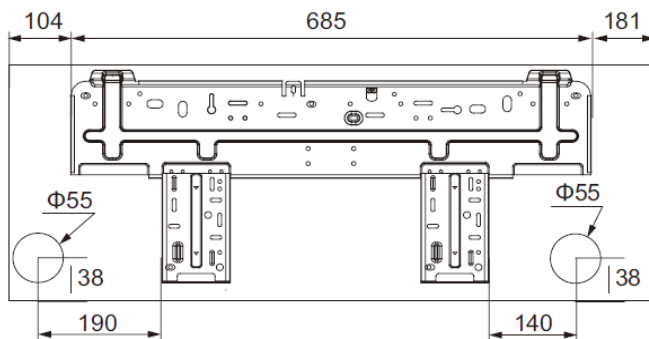
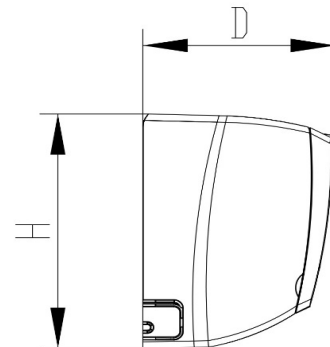
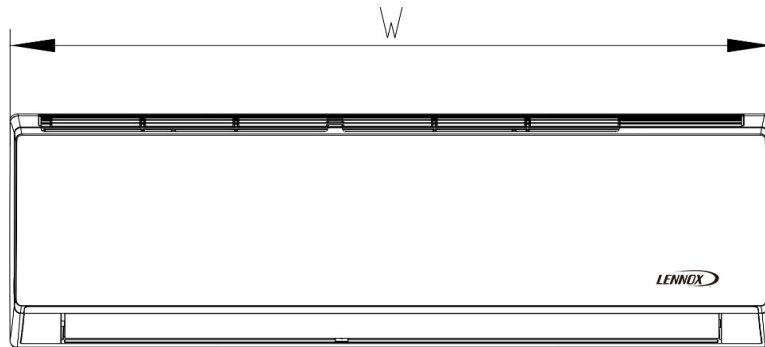
Y6185

Power Supply	2 AAA Batteries (Included)
Setpoint Range	61 °F(16°C) - 86 °F(30°C)
Effective Receiving Range	26 ft.(8m)

DISPLAY



INDOOR DIMENSIONAL DRAWINGS - INCHES (MM)



Model	LM018CI-115P432-1X	
	Inch	mm
W	38.2	970
H	11.8	300
D	8.8	224

NOTE – Due to Lennox' ongoing commitment to quality, Specifications, Ratings, and Dimensions are subject to change without notice and without incurring liability. Improper installation, adjustment, alteration, service or maintenance can cause property damage or personal injury. Installation and service must be performed by a qualified installer and servicing agency